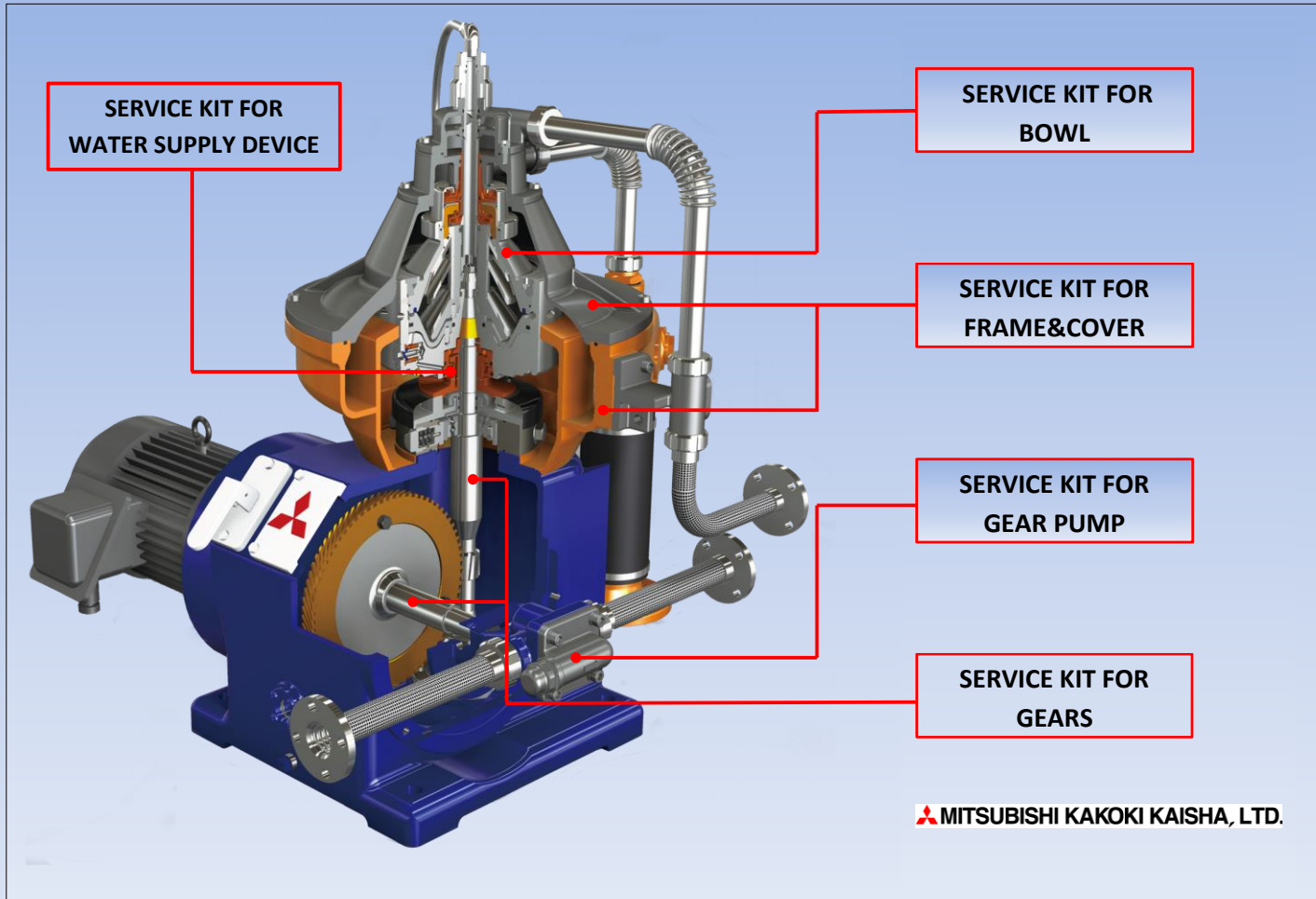


# Available Service KIT for Mitsubishi Oil Purifier, model SJ-G Series

Based on Purifier Units

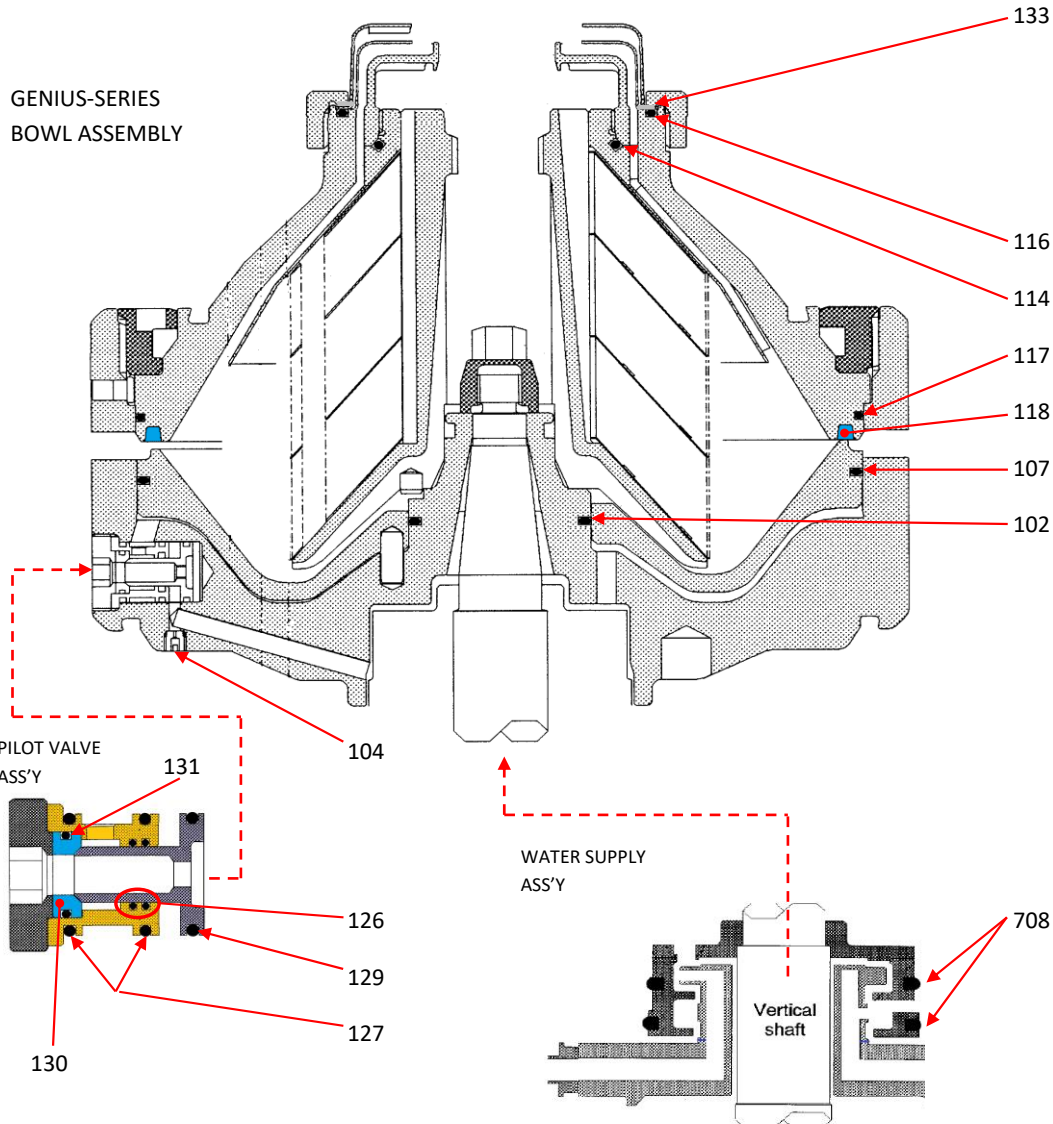
# Service kit per section

## AVAILABLE SERVICE KITS FOR MITSUBISHI OIL PURIFIER MODEL SJ-G



# Bowl

## GENIUS-SERIES BOWL ASSEMBLY



## SERVICE KIT FOR BOWL FOR MODEL G-SERIES

Item	Parts name	Q'ty
102	O RING	1
107	O RING	1
114	O RING	1
116	O RING	1
117	O RING	1
118	MAIN SEAL RING	1
126	O RING	4
127	O RING	4
129	O RING	2
130	VALVE SHEET	2
131	O RING	2
133	PACKING	1
104	DRAIN NOZZLE	2
708	O-RING	2

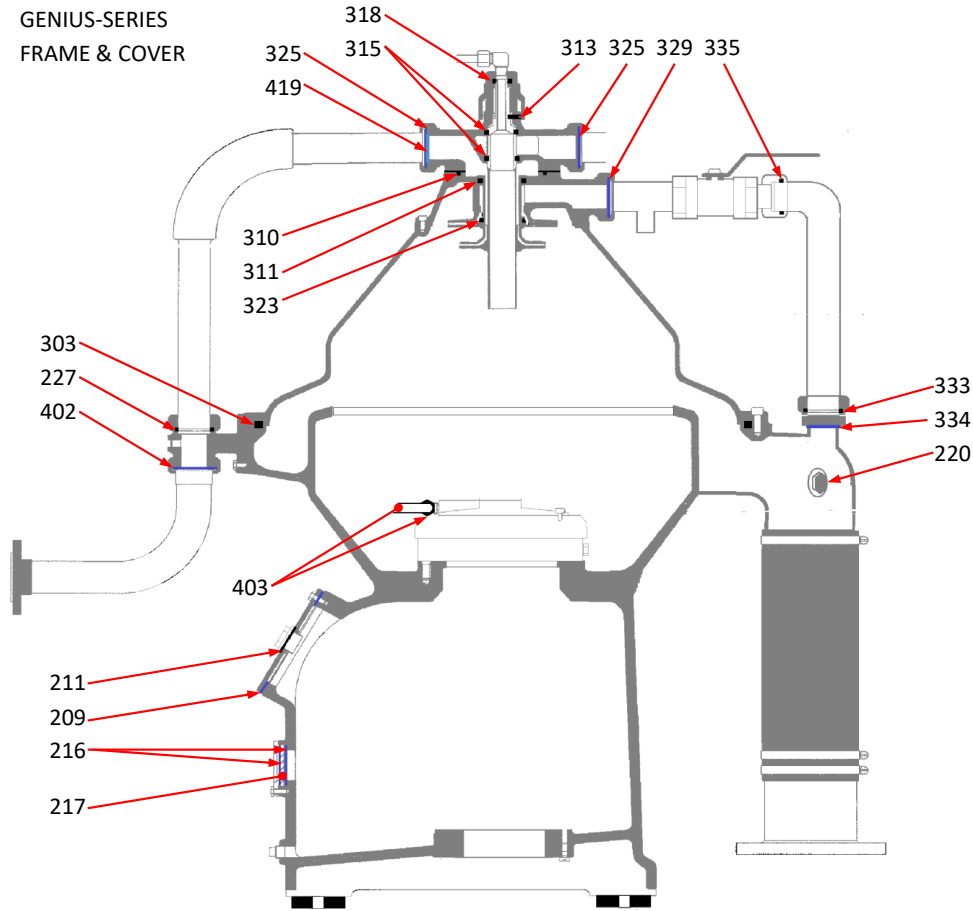
### Available kits per model

Model	Parts No.	Use/set
SJ10G	SKSJ010GBO	1
SJ20G	SKSJ020GBO	1
SJ30G	SKSJ030GBO	1
SJ50G	SKSJ050GBO	1
SJ60G	SKSJ060GBO	1
SJ70G	SKSJ070GBO	1
SJ100G	SKSJ100GBO	1
SJ120G	SKSJ120GBO	1
SJ150G	SKSJ150GBO	1

 MITSUBISHI KAKOKI KAISHA, LTD.

# Frame & Cover

GENIUS-SERIES  
FRAME & COVER



## SERVICE KIT FOR FRAME&COVER FOR SJ-G SERIES

Item	Parts name	Q'ty
209	GASKET	1
211	O RING	1
216	SHEET PACKING	2
217	SIGHT GLASS	1
220	O RING	1
227	O RING	2
303	O RING	1
310	O RING	1
311	O RING	1
315	O RING	2
318	O RING	1
323	O RING	1
325	SHEET PACKING	2
329	SHEET PACKING	1
333	O RING	1
334	GASKET	1
402	SHEET PACKING	2
403	TEFLON TUBE	2
403	ELBOW CONNECTOR	4
335	O RING	1
313	SOCKET SET SCREW	1
419	SHEET PACKING	1

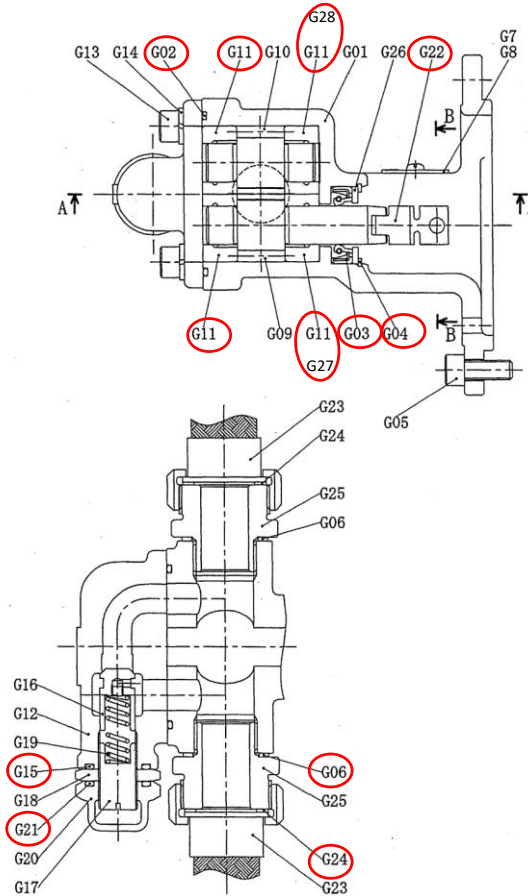
### Available kits per model (9 models)

Model SJ10G	p/n SKSJ010GFC	Model SJ60G	p/n SKSJ060GFC
Model SJ20G	p/n SKSJ020GFC	Model SJ70G	p/n SKSJ070GFC
Model SJ30G	p/n SKSJ030GFC	Model SJ100G	p/n SKSJ100GFC
Model SJ50G	p/n SKSJ050GFC	Model SJ120G	p/n SKSJ120GFC
		Model SJ150G	p/n SKSJ150GFC

 MITSUBISHI KAKOKI KAISHA, LTD.

# Gear Pump

## GEAR PUMP MODEL GP-G FOR G-SERIES



SECTION A-A

### Service kit for Gear pump Model GP-G Series

Item	Parts name	Q'ty
G02	O RING	1
G03	OIL SEAL	1
G06	GASKET	2
G15	O RING	1
G21	O RING	1
G22	SAFETY JOINT	1
G24	SHEET PACKING	2
G11	BUSH	4
*G11	BUSH	2
*G27	BUSH (2A)	1
*G28	BUSH (2B)	1
G04	RETAINGING RING	1

\*In use for model GP-GA (FO-DO)

### Available kits per model:

Model	Parts number	Use/set
GP10G_LO	SKGP010G0L	1
GP10GA_FO-DO	SKGP010GAF	1
GP20G_LO	SKGP020G0L	1
GP20GA_FO-DO	SKGP020GAF	1
GP30G_LO	SKGP030G0L	1
GP30GA_FO-DO	SKGP030GAF	1
GP50G_LO	SKGP050G0L	1
GP50GA_FO-DO	SKGP050GAF	1
GP70G_LO	SKGP070G0L	1
GP70GA_FO-DO	SKGP070GAF	1
GP100G_LO	SKGP0100G0L	1
GP100GA_FO-DO	SKGP0100GAF	1

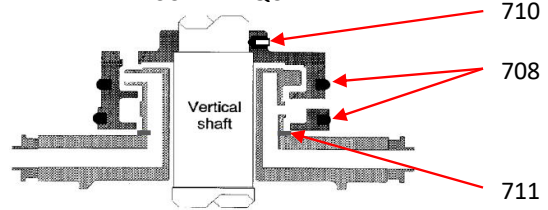
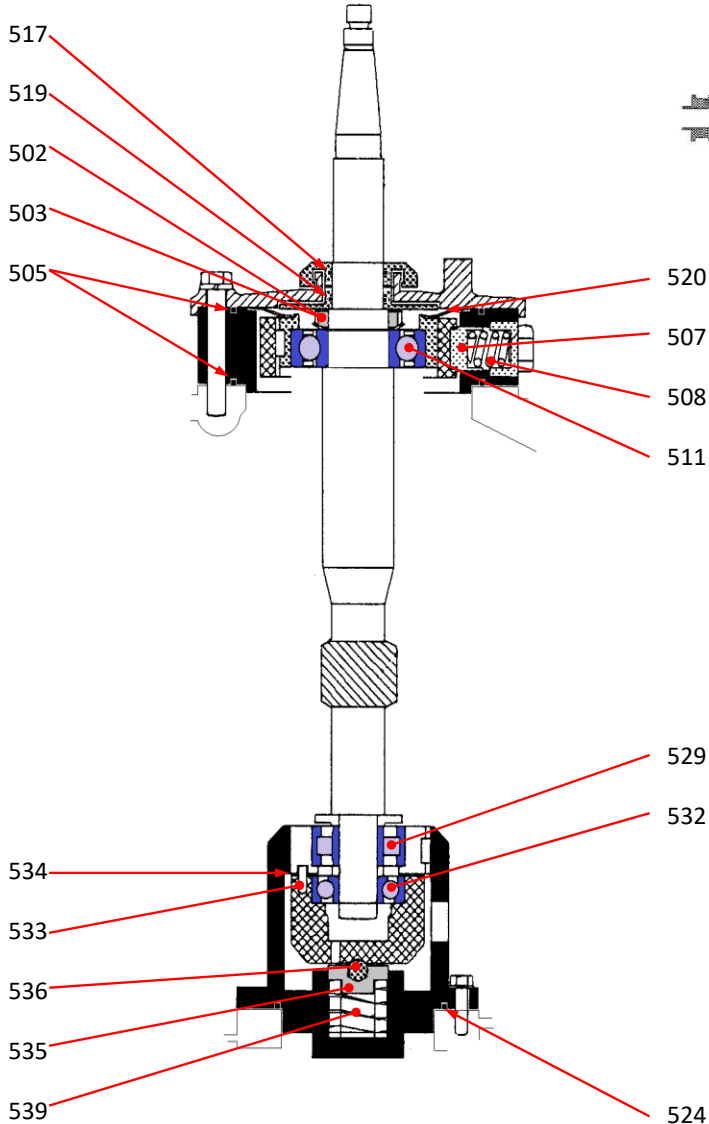
 MITSUBISHI KAKOKI KAISHA, LTD.

# Gears [VS]

GENIUS- SERIES

VERTICAL SHAFT ASS'Y

WATER SUPPLY EQUIPMENT



Available kits per model

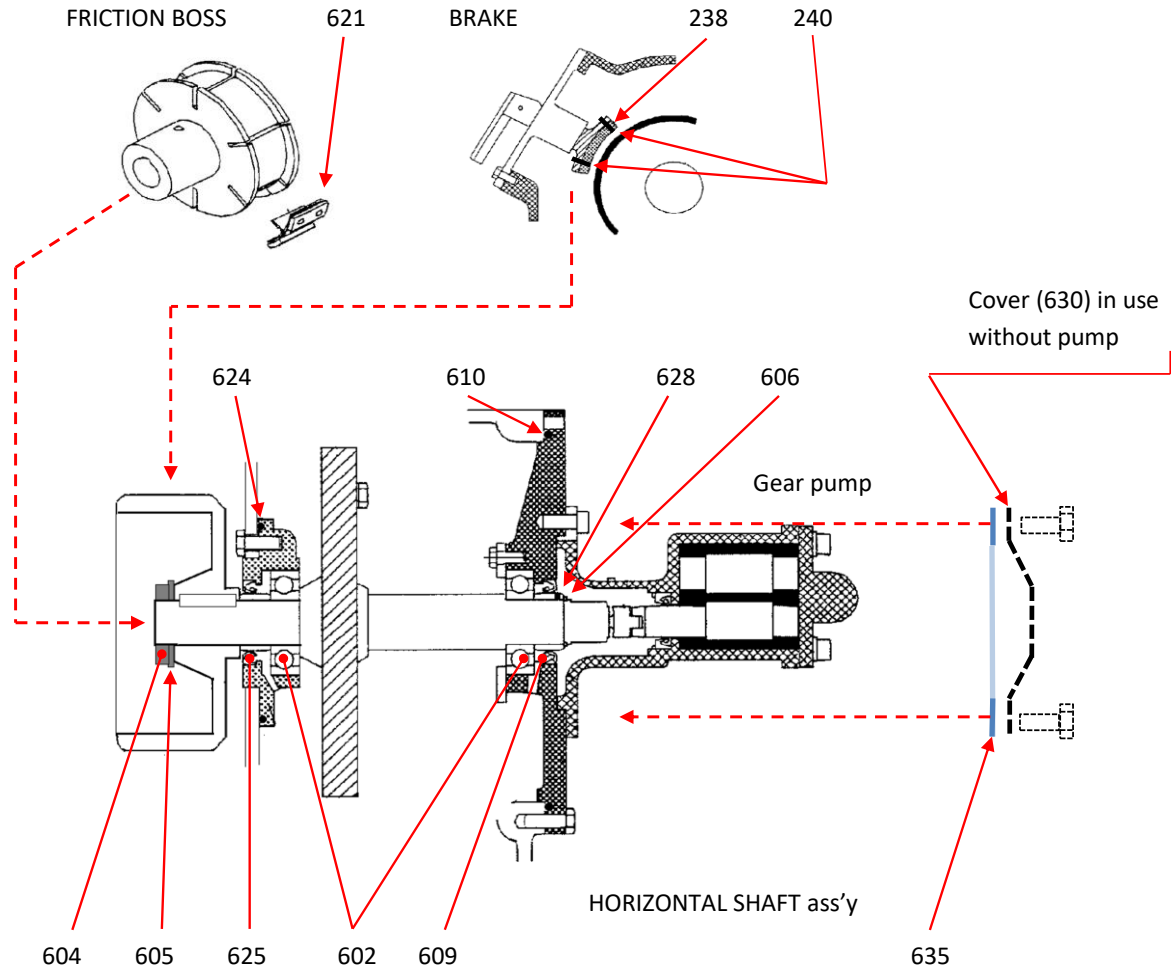
Model	Parts number
SJ10G	SKSJ01030GGE
SJ20G	
SJ30G	
SJ50G	SKSJ05070GGE
SJ60G	
SJ70G	
SJ100G	SKSJ100120GGE
SJ120G	
SJ150G	

SERVICE KIT FOR GEAR page 1/2  
FOR SJ-G SERIES

Item	Parts name	Q'ty
507	SPRING CASE	6
511	BALL BEARING	1
520	FLAT SPRING	1
529	ROLLER BEARING	1
532	BALL BEARING(3)	1
533	PIN	2
534	SPACER(2)	1
535	SPRING SEAT	1
536	STEEL BALL	1
539	LOWER SPRING	1
505	O RING	2
502	LOCK WASHER	1
503	LOCK NUT	1
508	UPPER SPRING	1
517	O RING	1
519	O RING	1
524	O RING	1
708	O RING	2
710	S. SET SCREW	1
711	PACKING	1

**MITSUBISHI KAKOKI KAISHA, LTD.**

# GEARS [HS]



## SERVICE KIT FOR HORIZONTAL SHAFT (HS) FOR SJ-G SERIES

Item	Parts name	Q'ty
238	BRAKE LINING	1
240	SET SCREW	2
602	BALL BEARING (1)	2
604	LOCK NUT	1
605	LOCK WASHER	1
606	RETAINING RING(C)	1
610	O RING	1
624	O RING	1
635	GASKET	1
609	OIL SEAL	1
621	FRICION BLOCK	4
625	OIL SEAL	1
628	SO.SET SCREW	1

Available kits per model:

Model	Parts number	Q't/set
SJ10G		
SJ20G	SKSJ01030GGEH	1
SJ30G		

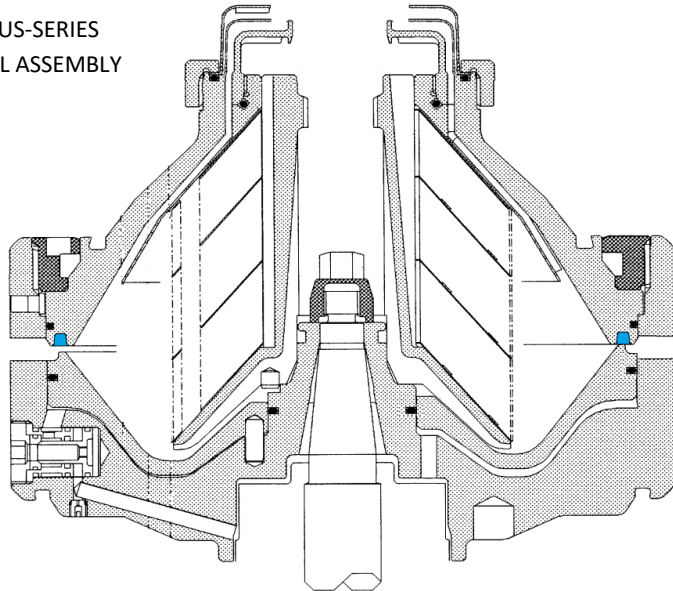
SJ50G		
SJ60G	SKSJ05070GGEV	1
SJ70G		

SJ100G		
SJ120G	SKSJ100120GGEH	1

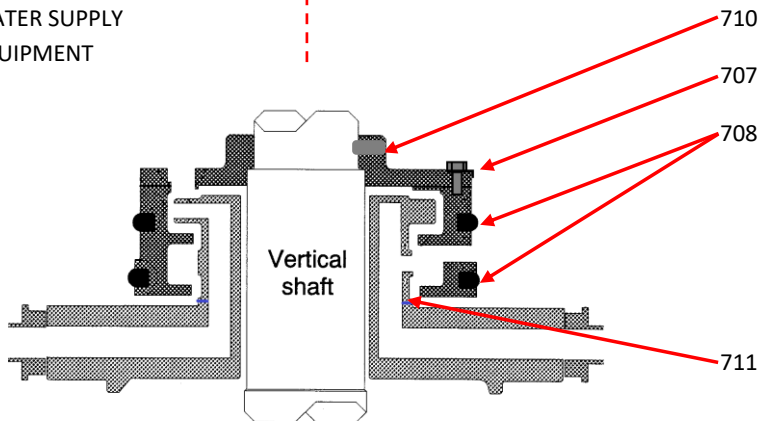
SJ150G	SKSJ150GGEH	1
--------	-------------	---

# WATER SUPPLY DEVICE

GENIUS-SERIES  
BOWL ASSEMBLY



WATER SUPPLY  
EQUIPMENT



SERVICE KIT FOR WATER SUPPLY ASS'Y  
FOR MODEL SJ G-SEREIS

Item	Parts name	Q'ty
707	TONG. WASHER	4
708	O RING	2
710	S. SET SCREW	1
711	PACKING	1

Available kits per model

Model	Parts number
SJ10G	SKSJ0102030GWS
SJ20G	
SJ30G	
SJ50G	SKSJ0506070GWS
SJ60G	
SJ70G	
SJ100G	SKSJ1001215GWS
SJ120G	
SJ150G	

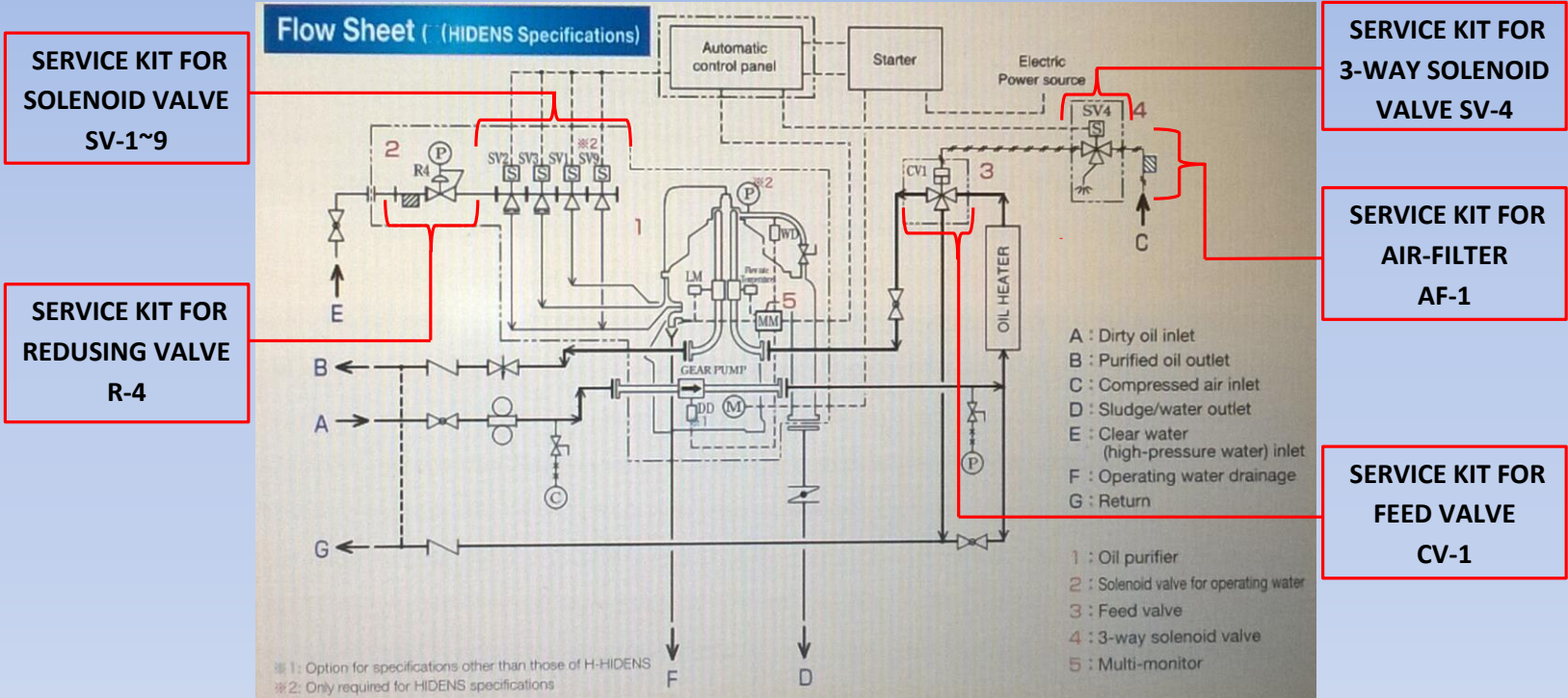
 MITSUBISHI KAKOKI KAISHA, LTD.



# Available Service KITS for Mitsubishi Oil Purifier Accessories, model SJ-G Series

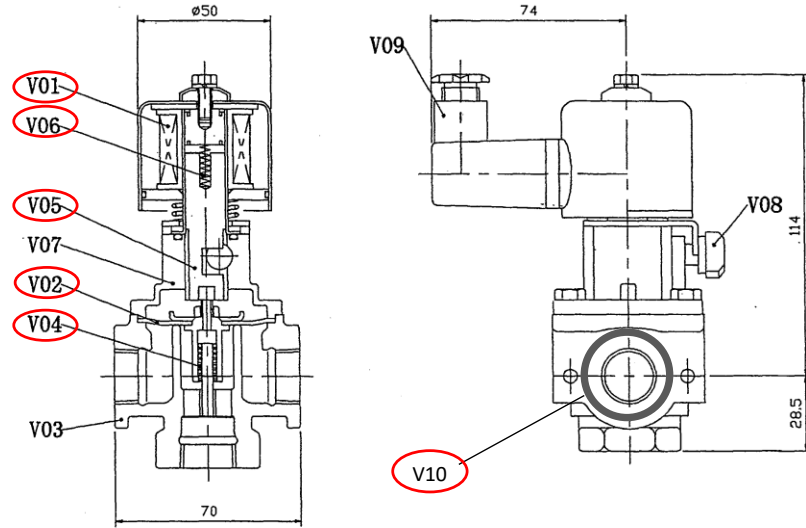
# Service kit for Accessories

## AVAILABLE SERVICE KITS FOR ACCESSORIES MODEL SJ-G



# Solenoid Valves SV-1~9

SOLENOID VALVE (SV1, SV2, SV3, SV9)



SERVICE KIT FOR SOLENOID VALVE SV1~9  
(AC 100V 50/60Hz, 110V 60Hz) FOR  
MODEL G-SERIES

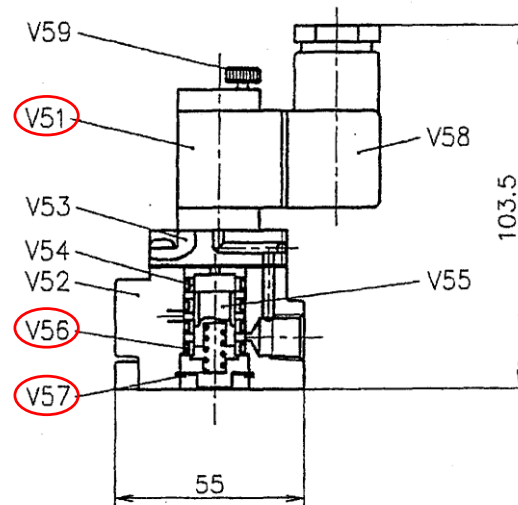
Item	Parts name	Q'ty
V01	COIL	1
V02	DIAPHRAGM ASSY	1
V04	PILOT SPRING	1
V05	PLUNGER	1
V06	PLUNGER SPRING	1
V10	O-RING	1

Available Kits:

Model	Parts number	Use/set
SV1 SV2 SV3 SV9	ACSKCPGSV1	3 or 4 G or GH

# 3-Way Solenoid Valve SV-4

3-WAY SOLENOID VALVE (SV4)



SERVICE KIT FOR 3-WAY SOLENOID VALVE SV-4  
100V/110V FOR MODEL G-SERIES.

Item	Parts name	Q'ty
V51	PILOT VALVE ASS'Y	1
V56	O RING	4
V57	SPRING	1

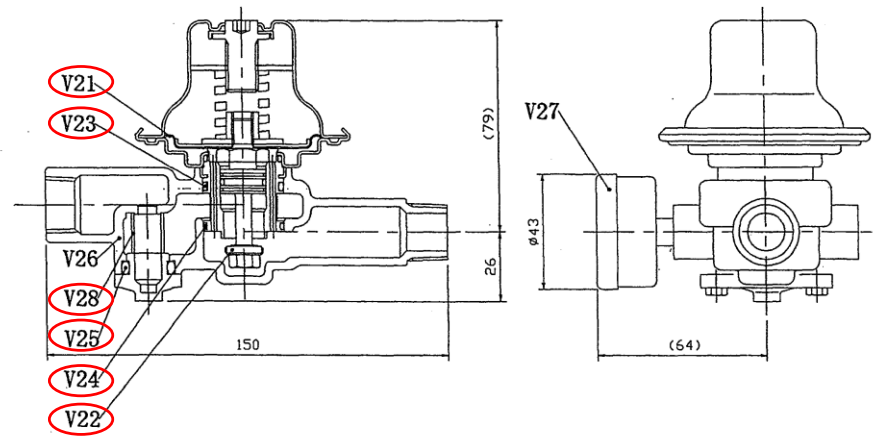
Available kits:

Model	Parts number	Q'ty/set
PMS2306	ACSKCPGSV4	1

 MITSUBISHI KAKOKI KAISHA, LTD.

# Reducing Valve R-4

REDUCING VALVE (R4)



SERVICE KIT FOR REDUCING VALVE R4  
FOR MODEL G-SERIES

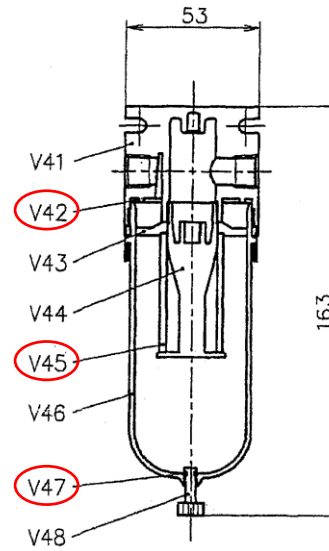
Item	Parts name	Q'ty
V21/22	DIAPHRAGM ASSY	1
V23	O RING	1
V24	O RING	1
V25	O RING	1
V28	STRAINER	1

Available kits:

Model/size	Parts number	Q'ty/set
R4-GH/ 250Pa	ACSKCPGR42	1/GH
R4-G/ 300Pa	ACSKCPGR41	1/G

# Air Filter AF-1

AIR FILTER (AF1)



SERVICE KIT FOR AIR FILTER AF1  
FOR MODEL G-SERIES

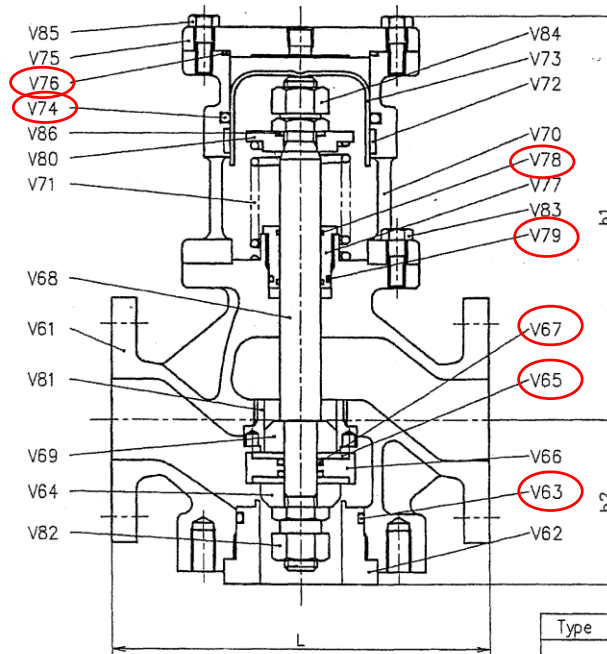
Item	Parts name	Q'ty
V42	BOWL GASKET	1
V45	FILTER ELEMENT	1
V47	O RING	1

Available kits:

Model	Parts number	Q'ty/set
AF-1	ACSKCP0AF	1

# Feed Valve CV-1

FEED VALVE (CV1)



Type	Size	h1	h2	L
JIS 5K	25A	204	66	152
	40A	200	80	182
	50A	200	85	216

**SERVICE KIT FOR FEED VALVE CV-1  
FOR MODEL G-SERIES**

Item	Parts name	Q'ty
V63	O RING	1
V65	VALVE DISK	2
V67	O RING	2
V74	O RING	1
V76	O RING	1
V78	O RING	2
V79	O RING	1

Available kits:

Model(size)	Parts number	Q'ty/set
25A	ACSKCP025A	1
40A	ACSKCP040A	1
50A	ACSKCP050A	1