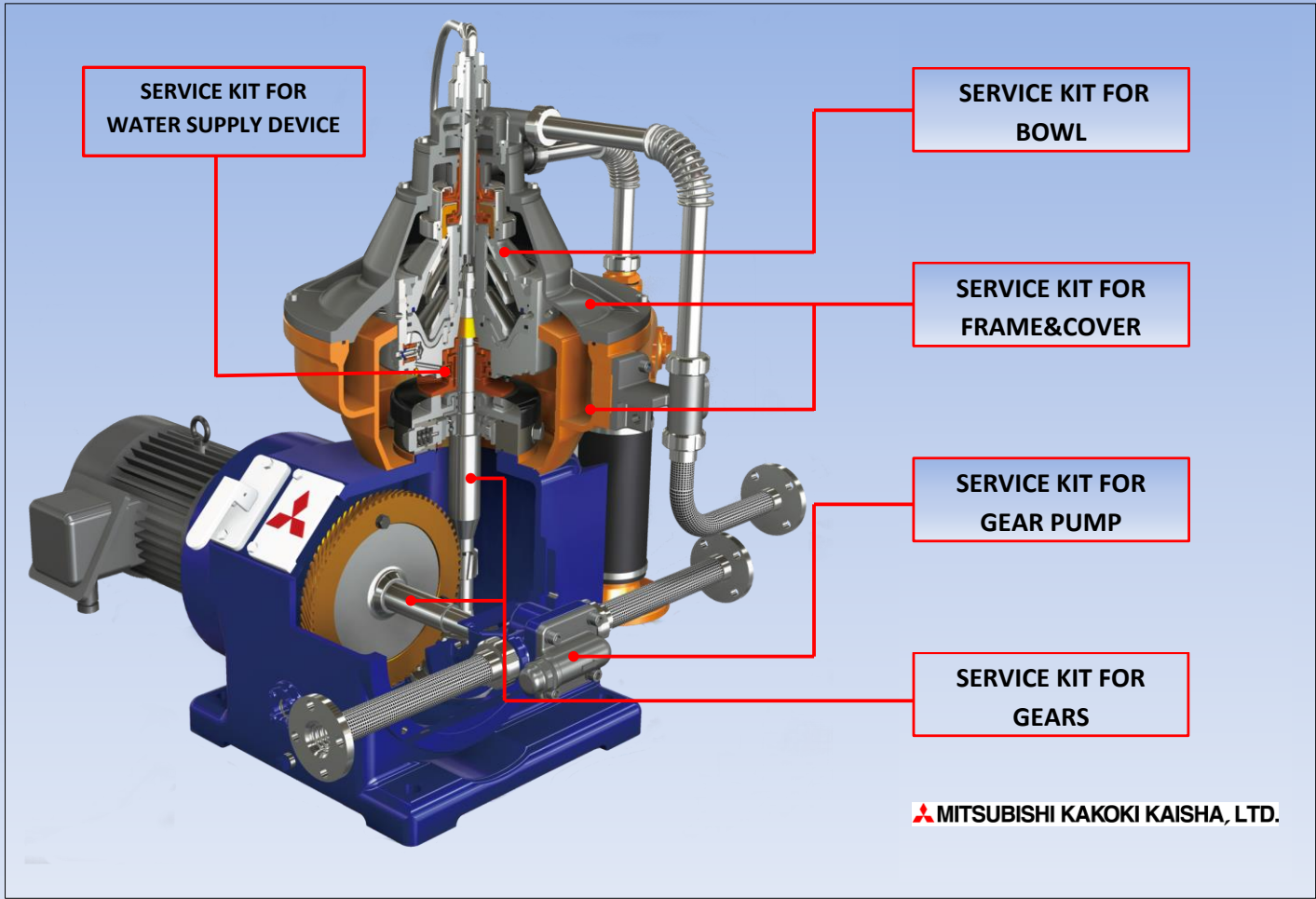


Available Service KIT for Mitsubishi Oil Purifier, model SJ-H Series

Based on Purifier Units

Service kit per section

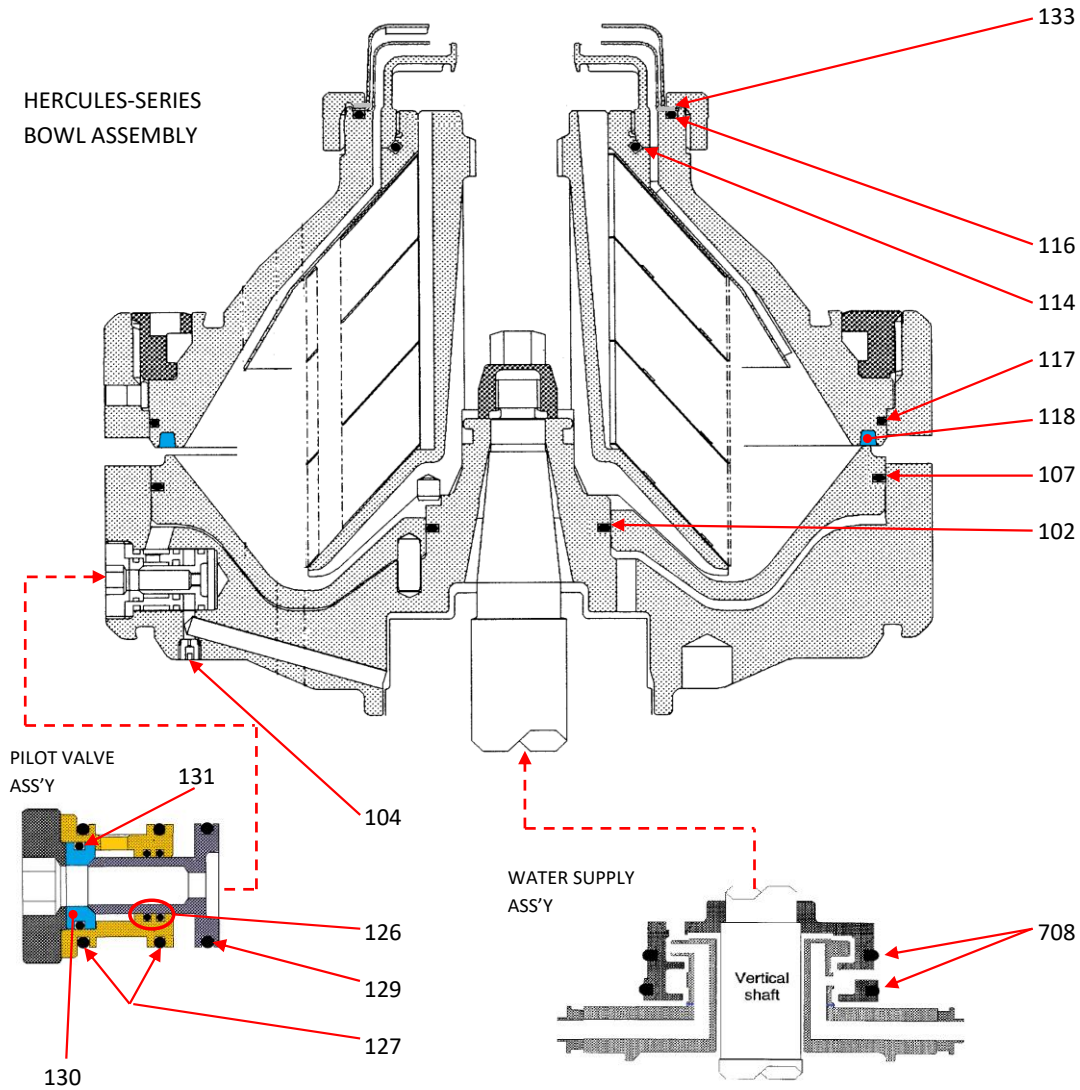
AVAILABLE SERVICE KITS FOR MITSUBISHI OIL PURIFIER MODEL SJ-H



 MITSUBISHI KAKOKI KAISHA, LTD.

Bowl

HERCULES-SERIES BOWL ASSEMBLY



SERVICE KIT FOR BOWL FOR MODEL SJ H SERIES

Item	Parts name	Q'ty
102	O RING	1
107	O RING	1
114	O RING	1
116	O RING	1
117	O RING	1
118	MAIN SEAL RING	1
126	O RING	4
127	O RING	4
129	O RING	2
130	VALVE SHEET	2
131	O RING	2
133	PACKING	1
104	DRAIN NOZZLE	2
708	O RING	2

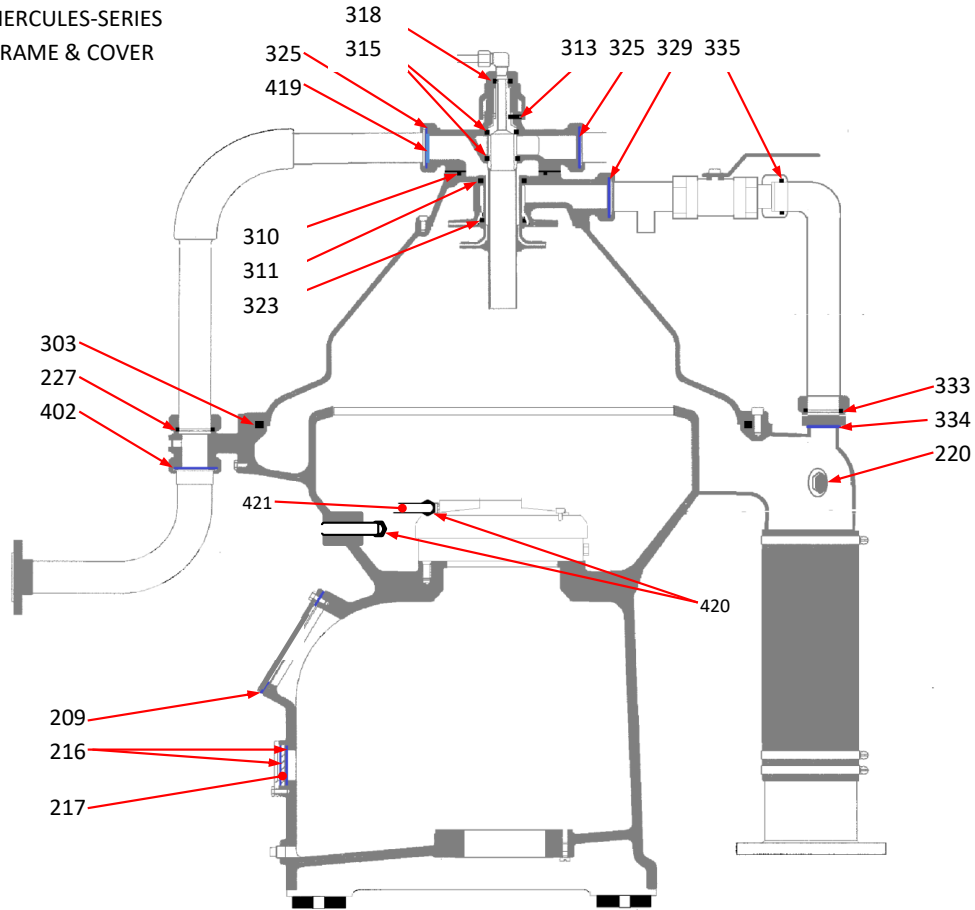
Available kits per model

Model	Parts No.	Use/set
SJ15H	SKSJ015HBO	1
SJ25H	SKSJ025HBO	1
SJ35H	SKSJ035HBO	1
SJ60H	SKSJ060HBO	1
SJ85H	SKSJ085HBO	1
SJ110H	SKSJ110HBO	1
SJ160H	SKSJ160HBO	1
SJ220H	SKSJ220HBO	1

 **mitsubishi KAKOKI KAISHA, LTD.**

Frame & Cover

HERCULES-SERIES
FRAME & COVER



SERVICE KIT FOR FRAME&COVER FOR SJ-H SERIES

Item	Parts name	Q'ty
209	GASKET	1
216	SHEET PACKING	2
217	SIGHT GLASS	1
220	O RING	1
227	O RING	2
303	O RING	1
310	O RING	1
311	O RING	1
315	O RING	2
318	O RING	1
323	O RING	1
325	SHEET PACKING	2
329	SHEET PACKING	1
333	O RING	1
334	GASKET	1
335	O RING	1
420	ELBOW CONNECTOR	4
421	TEFLON TUBE	1
313	SOCKET SET SCREW	1
419	SHEET PACKING	1
402	SHEET PACKING	2

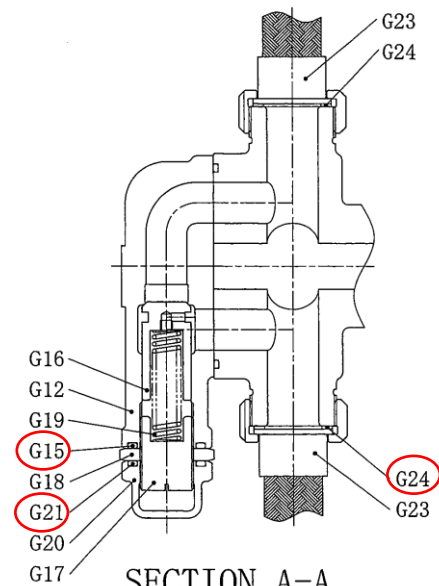
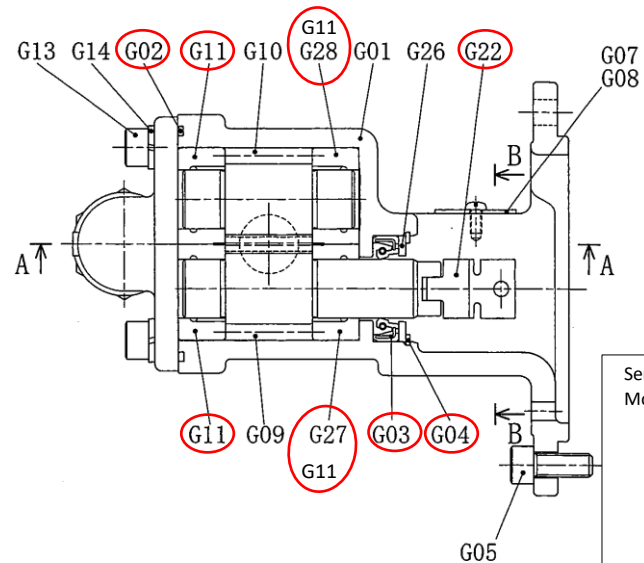
Available kits per model (8 models)

Model SJ15H	p/n SKSJ015HFC	Model SJ85H	p/n SKSJ085HFC
Model SJ25H	p/n SKSJ025HFC	Model SJ110H	p/n SKSJ110HFC
Model SJ35H	p/n SKSJ035HFC	Model SJ160H	p/n SKSJ160HFC
Model SJ60H	p/n SKSJ060HFC	Model SJ220H	p/n SKSJ220HFC

 MITSUBISHI KAKOKI KAISHA, LTD.

Gear Pump

GEAR PUMP MODEL GP-H FOR H-SERIES



Service kit for Gear pump
Model GP-H Series

Item	Parts name	Q'ty
G02	O RING	1
G03	OIL SEAL	1
G04	RETAINING RING	1
G11	BUSH	4
*G11	BUSH	2
G15	O RING	1
G21	O RING	1
G22	SAFETY JOINT	1
G24	SHEET PACKING	2
*G27	BUSH (2A)	1
*G28	BUSH (2B)	1

*In use for model GP-HA (FO-DO)

Available kits per model:

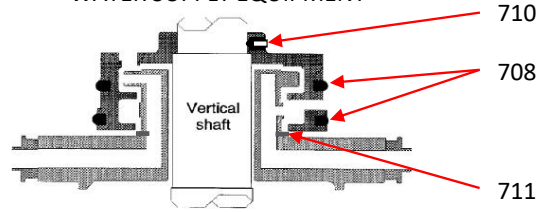
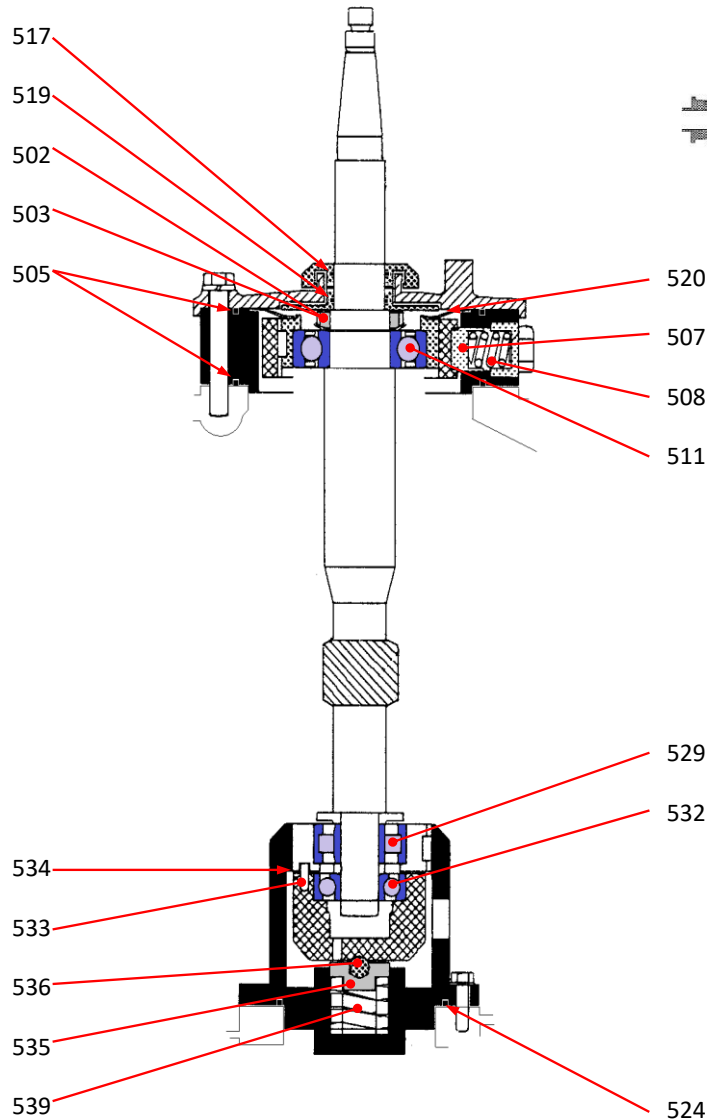
Model	Parts number	Use/set
GP15H_LO	SKGP015H0L	1
GP15H_FO-DO	SKGP015HAF	1
GP25H_LO	SKGP025H0L	1
GP25H_FO-DO	SKGP025HAF	1
GP35H_LO	SKGP035H0L	1
GP35H_FO-DO	SKGP035HAF	1
GP60H_LO	SKGP060H0L	1
GP60H_FO-DO	SKGP060HAF	1
GP85H_LO	SKGP085H0L	1
GP85H_FO-DO	SKGP085HAF	1

MITSUBISHI KAKOKI KAISHA, LTD.

Gears [VS]

HERCULES - SERIES VERTICAL SHAFT ASS'Y

WATER SUPPLY EQUIPMENT



SERVICE KIT FOR GEAR page 1/2 FOR SJ-H SERIES

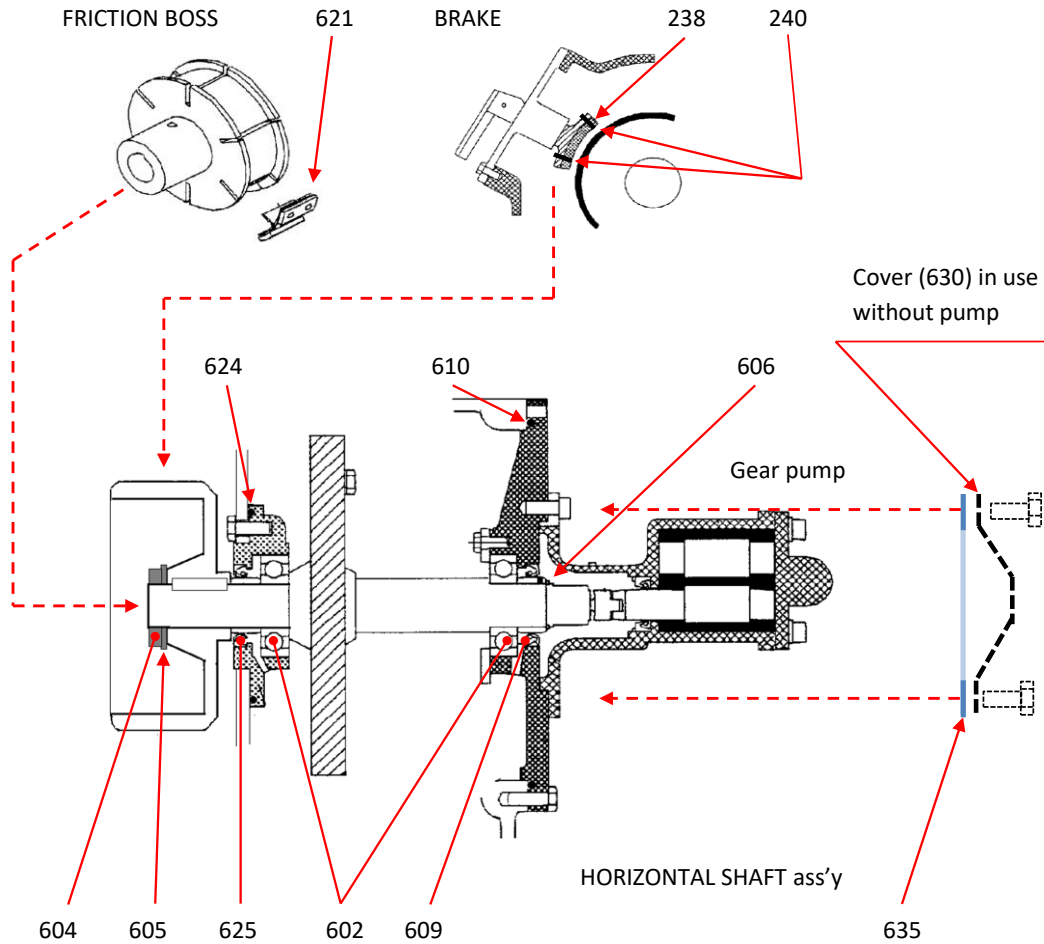
Item	Parts name	Q'ty
507	SPRING CASE	6
511	BALL BEARING	1
520	FLAT SPRING	1
529	BEARING(2)	1
532	BALL BEARING(3)	1
533	PIN	2
534	SPACER(2)	1
535	SPRING SEAT	1
536	STEEL BALL	1
539	LOWER SPRING	1
505	O RING	2
502	LOCK WASHER	1
503	LOCK NUT	1
508	UPPER SPRING	1
517	O RING	1
519	O RING	1
524	O RING	1
708	O RING	2
710	S. SET SCREW	1
711	PACKING	1

Available kits per model

Model	Parts number
SJ15H	SKSJ152535HGE
SJ25H	
SJ35H	
SJ60H	SKSJ6085HGE
SJ85H	
SJ110H	SKSJ110HGE
SJ160H	SKSJ160220HGE
SJ220H	

 **MITSUBISHI KAKOKI KAISHA, LTD.**

GEARS [HS]



SERVICE KIT FOR HORIZONTAL SHAFT (HS)

Item	Parts name	Q'ty
238	BRAKE LINING	1
240	SET SCREW	2
602	BALL BEARING (1)	2
610	O RING	1
624	O RING	1
635	GASKET	1
609	OIL SEAL	1
621	FRICION CLUTCH	4
625	OIL SEAL	1
604	LOCK NUT	1
605	LOCK WASHER	1
606	RETAINING RING (2)	1
607	SOCKET SET SCREW	1

Available kits per model:

Model	Parts number	Q/set
SJ15H		
SJ25H	SKSJ01535HGEH	1
SJ35H		

SJ60H		
	SKSJ06085HGEH	1
SJ85H		

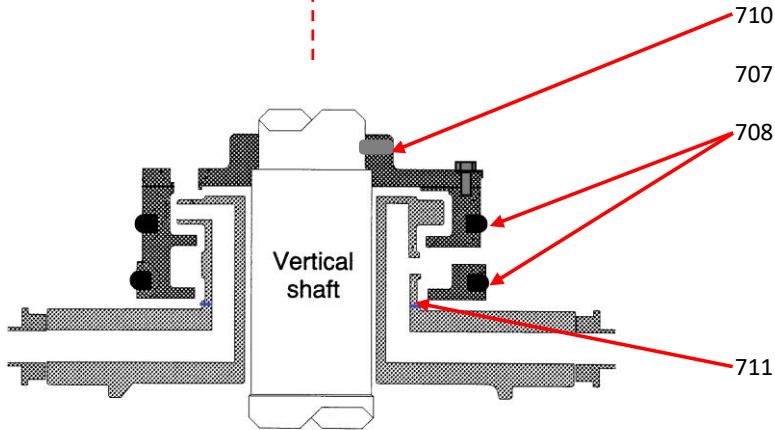
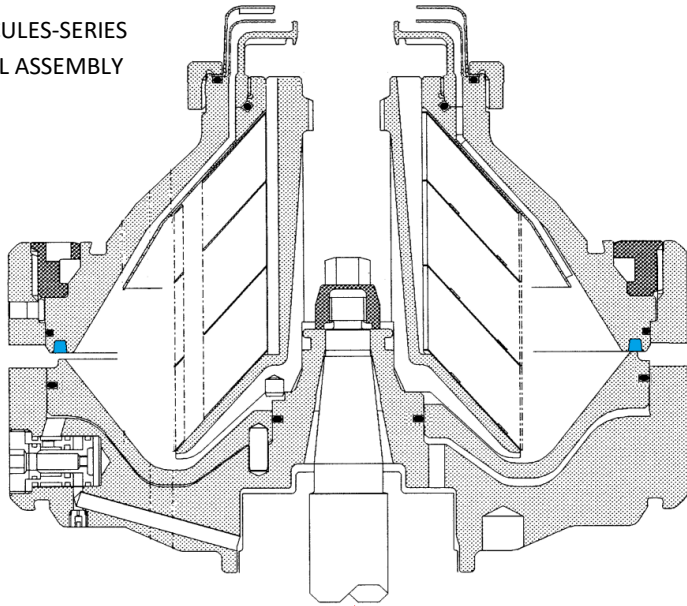
SJ110H	SKSJ110HGEH	1
--------	-------------	---

SJ160H		
	SKSJ160220HGEH	1
SJ220H		

 **MITSUBISHI KAKOKI KAISHA, LTD.**

WATER SUPPLY DEVICE

HERCULES-SERIES BOWL ASSEMBLY



SERVICE KIT FOR WATER SUPPLY ASSY FOR MODEL SJ H-SERIES

Item	Parts name	Q'ty
707	TONG. WASHER	4
708	O RING	2
710	S.SET SCREW	1
711	PACKING	1

Available kits per model

Model	Parts No.	Use/set
SJ15H	SKSJ152535HWS	1
SJ25H		
SJ35H		
SJ60H	SKSJ6085HWS	1
SJ85H		
SJ110H	SKSJ110HWS	1
SJ160H	SKSJ160220HWS	1
SJ220H		

 MITSUBISHI KAKOKI KAISHA, LTD.

Available Service KITS for Mitsubishi Oil Purifier Accessories, model SJ-H Series

Service kit for Accessories

AVAILABLE SERVICE KITS FOR ACCESSORIES MODEL SJ-H

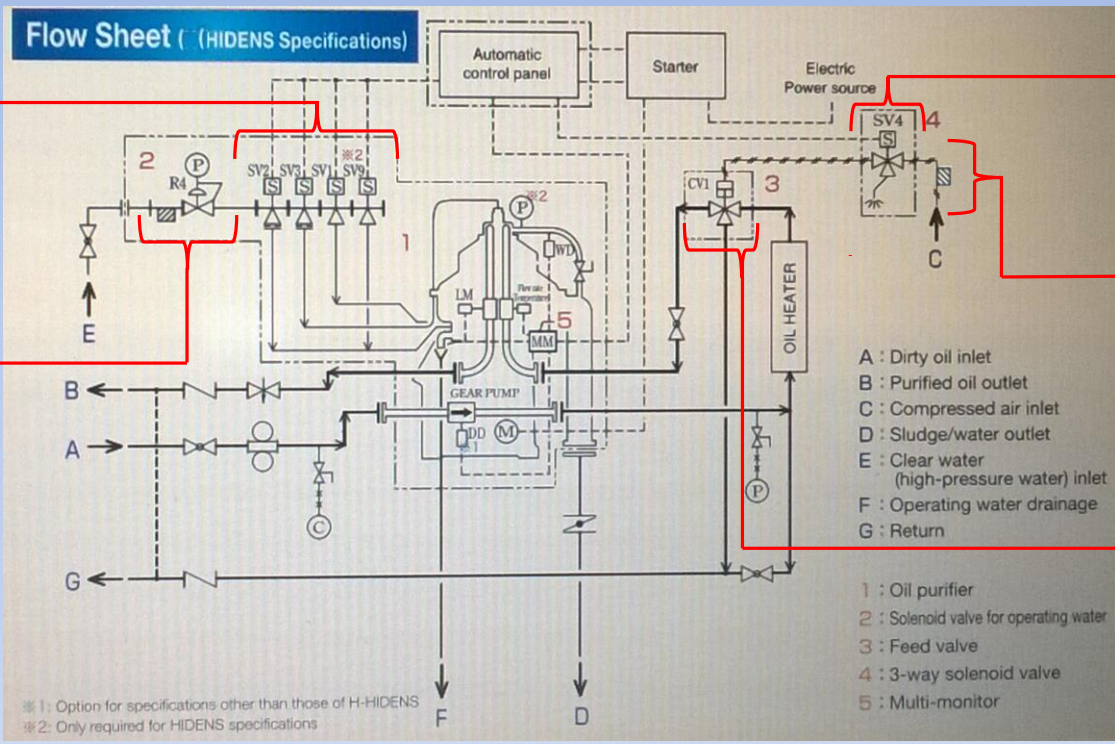
SERVICE KIT FOR SOLENOID VALVE SV-1~9

SERVICE KIT FOR REDUCING VALVE R-4

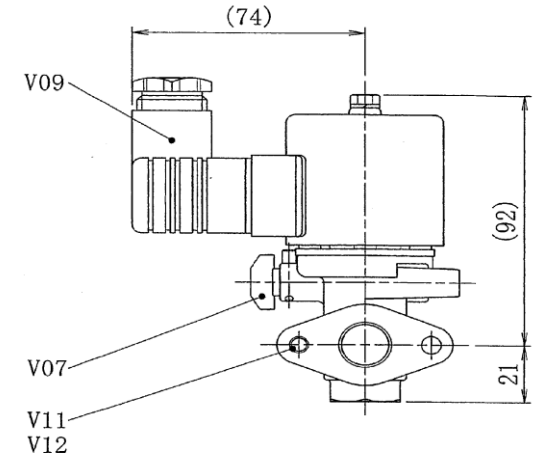
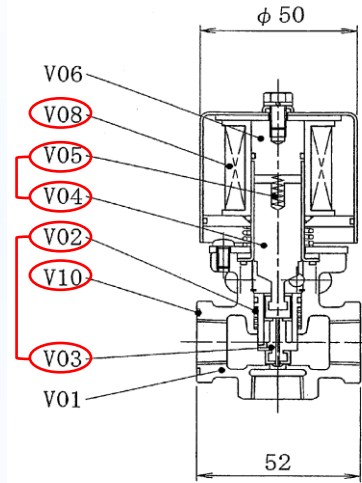
SERVICE KIT FOR 3-WAY SOLENOID VALVE SV-4

SERVICE KIT FOR AIR-FILTER AF-1

SERVICE KIT FOR FEED VALVE CV-1



Solenoid Valves SV-1~9



SOLENOID VALVE SV1, SV2, SV3, SV9

SERVICE KIT FOR SOLENOID VALVE SV1~9 (DC24V) FOR MODEL H-SERIES

Item	Parts name	Q'ty
V08	COIL ASSEMBLY	1
V10	O RING	1
V02,3	PILOT SPRING ASSY	1
V04,5	PLUNGER ASSY	1

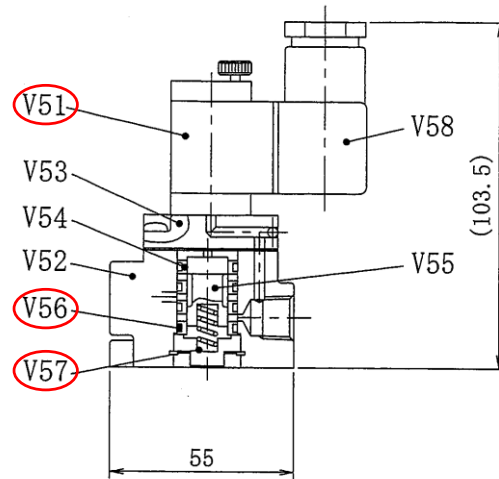
Available Kits:

Model	Parts number	Use/set
SV1	ACSKCPHSV1	3xH/4xHH
SV2		
SV3		
SV9		

 MITSUBISHI KAKOKI KAISHA, LTD.

3-Way Solenoid Valve SV-4

3-WAY SOLENOID VALVE (SV4)



SERVICE KIT FOR 3-WAY SOLENOID
VALVE SV-4 (DC24V)
FOR MODEL H-SERIES

Item	Parts name	Q'ty
V51	PILOT VALVE ASS'Y	1
V56	O RING	4
V57	SPRING	1

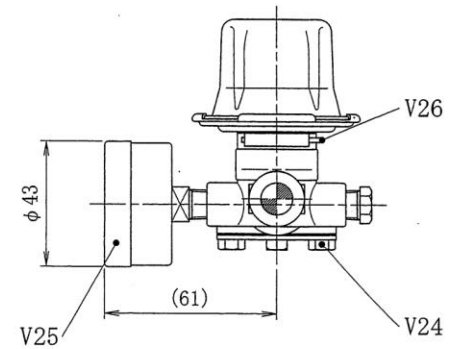
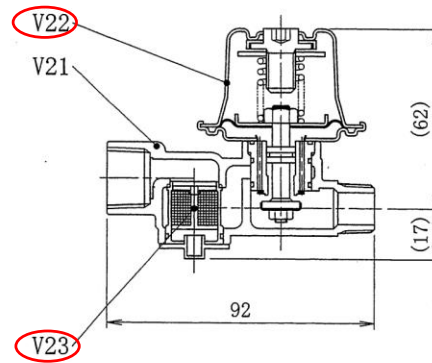
Available kits:

Model	Parts number	Q'ty/set
3-way	ACSKCPHSV4	1

 MITSUBISHI KAKOKI KAISHA, LTD.

Reducing Valve R-4

REDUCING VALVE (R4)



SERVICE KIT FOR REDUCING VALVE R4 FOR MODEL H-SERIES

Item	Parts name	Q'ty
V22	DIAPHRAGM ASSEMBLY	1
V23	STRAINER ASSEMBLY	1

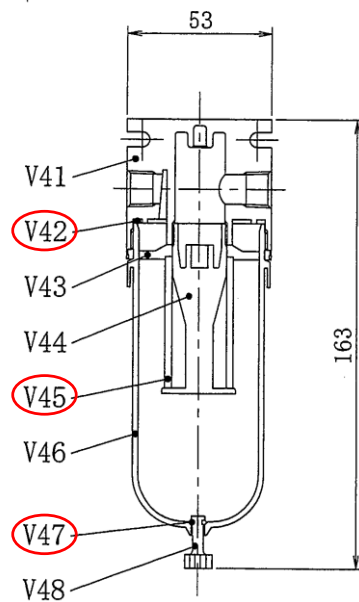
Available kit:

Model(size)	Parts number	Q'ty/set
RU150202 (250Pa)	ACSKCPHR42	1/HH
RU150201 (300Pa)	ACSKCPHR41	1/H

 **MITSUBISHI KAKOKI KAISHA, LTD.**

Air Filter AF-1

AIR FILTER (AF1)



SERVICE KIT FOR AIR FILTER AF1 FOR
MODEL H-SERIES

Item	Parts name	Q'ty
V42	BOWL GASKET	1
V45	FILTER ELEMENT	1
V47	O RING	1

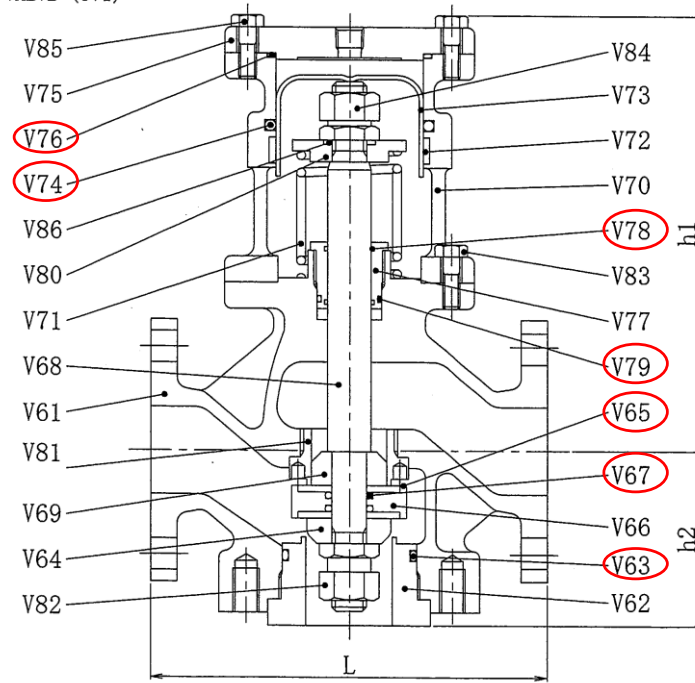
Available kits:

Model	Parts number	Q'ty/set
AF-1	ACSKCP0AF1	1

 MITSUBISHI KAKOKI KAISHA, LTD.

Feed Valve CV-1

FEED VALVE (CV1)



SERVICE KIT FOR FEED VALVE CV1
FOR MODEL H-SERIES

Item	Parts name	Q'ty
V63	O RING	1
V65	VALVE DISK	2
V67	O RING	2
V74	O RING	1
V76	O RING	1
V78	O RING	2
V79	O RING	1

Available kits:

Model(size)	Parts number	Q'ty/set
25A	ACSKCP025A	1
40A	ACSKCP040A	1
50A	ACSKCP050A	1